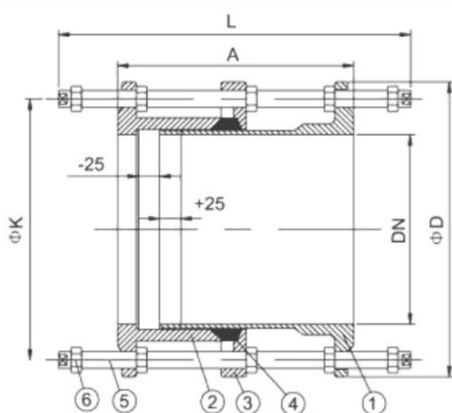


**DISMANTLING JOINT**

**COUPLING & FLANGE ADAPTOR**



**DESCRIPTION**

- Ductile iron body
- Blue epoxy anti-corrosion surface coating
- Nominal pressure: 10 Bars or 16 Bars
- Compliant to EN545 standard
- Galvanized or chromed steel threaded rods and nuts
- A.C.S certified product

Ref	DN	A (mm)	D (mm)	K (mm)
JD1001	50	175	180	160
JD1002	60	175	180	180
JD1003	65	175	180	210
JD1004	80	200	200	160
JD1005	100	200	220	180
JD1006	125	200	250	210
JD1007	150	200	285	240
JD1008	200	220	340	295
JD1009	250	230	400	355
JD1010	300	250	455	410
JD1011	350	260	520	470
JD1012	400	270	580	525
JD1013	500	280	715	650
JD1014	600	300	840	770
JD1015	800	320	1025	950
JD1016	900	320	1125	1050